

ENMET

680 Fairfield Court
Ann Arbor, MI 48108
734.761.1270 Fax 734.761.3220

www.enmet.com

ENMET
Creative Gas Detection Solutions



SE-5175
Oxygen – Long Life
Operation and Maintenance
Manual

Table of Contents

1.0 INTRODUCTION	2
1.1 Unpack	2
1.2 Check Order	2
1.3 Serial Numbers.....	2
2.0 INSTRUMENT FEATURES	3
2.1 SE-5175 Oxygen-Long Life Exterior Features	3
3.0 INSTALLATION	3
3.1 Mounting SE-5175-Long Life Sensor/Transmitter	3
3.2 Wiring the SE-5175-Long Life	4
3.2.1 Power Supply.....	4
4.0 OPERATION	5
4.1 Start Up SE-5175-long Life	5
4.1.1 Typical Start Up.....	5
4.2 Normal Display Mode.....	6
5.0 MAINTENANCE	7
5.1 Maintenance Menus	7
5.1.1 Gas Span.....	9
5.1.2 Alarm Set Points	10
5.1.3 Span Set	10
5.2 Sensor Replacement.....	12
5.2.1 Change Sensor	12
5.2.2 Calibration after Sensor Replacement.....	13
6.0 TECHNICAL DATA AND SPECIFICATIONS	14
7.0 PART NUMBERS FOR REPLACEMENT PARTS AND ACCESSORIES	14
8.0 TERMS AND CONDITIONS	15
8.1 Ordering Information	15
8.2 Shipping Terms	15
8.3 Payment	15
8.4 Warranty Information and Guidelines	15
8.5 Return Policy	16
8.6 Returning an Instrument for Service Instructions	16

List of Figures

Figure 1: SE-5175 Oxygen-Long Life External Figures.....	3
Figure 2: SE-5175 Oxygen-Long Life Remote Sensor Mounting Dimensions	3
Figure 3: Power Terminal Connections SE-5175-Long Life	4
Figure 4: SE-5175 Maintenance Menu Flow Chart	8
Figure 5: Calibration SE-5175-Long Life.....	11
Figure 6: SE-5175 Sensor Replacement	12
Figure 7: Calibration SE-5175-Long Life.....	13

List of Tables

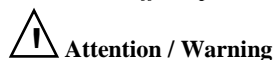
Table 1: SE-5175-Long Life Maintenance Menu Sequences	7
---	---

Reference Information:

NOTE: [important information about use of instrument]

CAUTION: [affects equipment – if not followed may cause damage to instrument, sensor etc....]

WARNING: [affects personnel safety – if not followed may cause bodily injury or death.]



1.0 Introduction

The SE-5175 OXYGEN-LONG LIFE instrument is designed to monitor ambient oxygen concentration of 0 – 30% by volume and an extended operation life is required. Some features of the monitoring system are as follows:

- continuous monitoring of the sample air
- menu driven operational and maintenance controls
- menu driven calibration procedure
- visual alarms indicate unsafe conditions
- Continues LCD Display of the Oxygen Concentration
- mA output
- internal non-magnetic metallic coating to minimize RFI/EMI

NOTE: *All specifications stated in this manual may change without notice.*

1.1 Unpack

Unpack the SE-5175-LONG LIFE and examine it for shipping damage. If such damage is observed, notify both ENMET customer service personnel and the commercial carrier involved immediately.

Regarding Damaged Shipments

NOTE: *It is your responsibility to follow these instructions. If they are not followed, the carrier will not honor any claims for damage.*

- This shipment was carefully inspected, verified and properly packaged at **ENMET** and delivered to the carrier in good condition.
- When it was picked up by the carrier at **ENMET**, it legally became your company's property.
- If your shipment arrives damaged:
 - Keep the items, packing material, and carton "As Is." Within 5 days of receipt, notify the carrier's local office and request immediate inspection of the carton and the contents.
 - After the inspection and after you have received written acknowledgment of the damage from the carrier, contact **ENMET** Customer Service for return authorization and further instructions. Please have your Purchase Order and Sales Order numbers available.
- **ENMET** either repairs or replaces damaged equipment and invoices the carrier to the extent of the liability coverage, usually \$100.00. Repair or replacement charges above that value are your company's responsibility.
- The shipping company may offer optional insurance coverage. **ENMET** only insures shipments with the shipping company when asked to do so in writing by our customer. If you need your shipments insured, please forward a written request to **ENMET** Customer Service.

Regarding Shortages

If there are any shortages or questions regarding this shipment, please notify **ENMET** Customer Service within 5 days of receipt at the following address:

ENMET
680 Fairfield Court
Ann Arbor, MI 48108
734-761-1270 Fax 734-761-3220
Toll Free: 800-521-2978

1.2 Check Order

Check the contents of the shipment against the purchase order. Verify that the SE-5175-LONG-LIFE is received as ordered. If there are accessories on the order, ascertain that they are present. Check the contents of calibration kits. Notify ENMET customer service personnel of any discrepancy immediately.


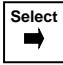
1.3 Serial Numbers

Each SE-5175-LONG LIFE IS serialized. These numbers are on tags on the equipment and are on record in an ENMET database.

2.0 Instrument Features

2.1 SE-5175 OXYGEN-LONG LIFE Exterior Features

The exterior and panel of the sensor/transmitter is shown in **Figure 1**. The **SE-5175 OXYGEN-LONG LIFE** features are as follows:

Feature	Description
Enclosure	Fiberglass-reinforced polyester
Strain Relief	Entrance for wiring from control unit
Mounting Flanges	Flanges with holes for mounting the enclosure to a vertical surface.
MENU Switch	The left most pushbutton switch 
SELECT Switch	The right most pushbutton switch 
Power/Fault LED	Red/Green LED, Green indicating power on and red indicating a fault condition
Visual Alarm LED	3 Red LED, triggered at level of alarm
Sensor	Long life electrochemical oxygen sensor
Display	A single line, 8-character LCD with backlight
Audio Alarm(Optional)	A loud horn activated by certain alarm conditions.

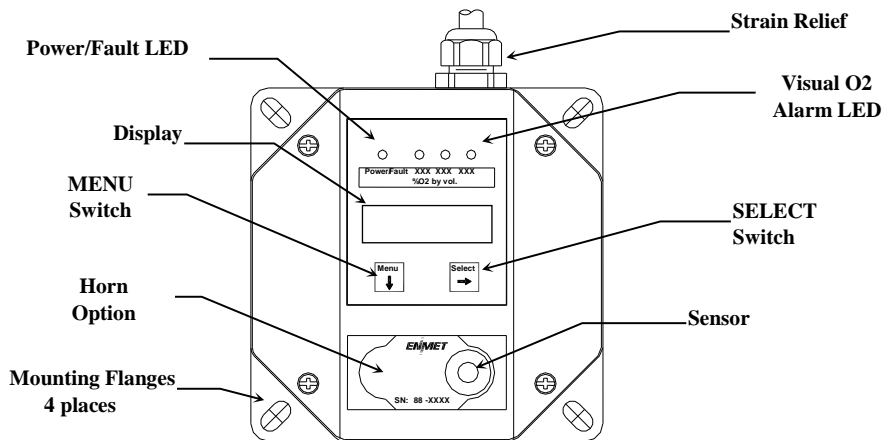


Figure 1: SE-5175 Oxygen-Long Life External Figures

3.0 Installation

3.1 Mounting SE-5175-LONG LIFE Sensor/Transmitter

Mount the **SE-5175-LONG LIFE** so it samples the ambient air.

It is recommended to use #8 drywall anchors and screws for mounting the **SE-5175-LONG LIFE** to a drywall/sheetrock surface.

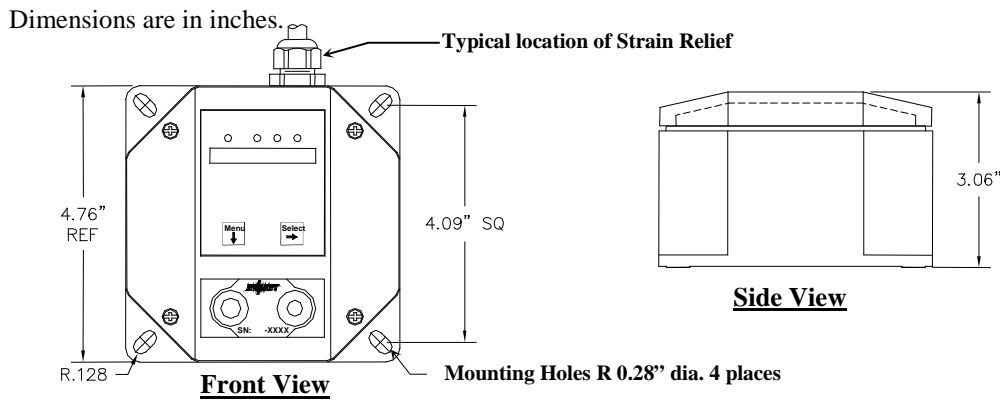


Figure 2: SE-5175 Oxygen-Long Life Remote Sensor Mounting Dimensions

3.2 Wiring the SE-5175-Long Life

The electrical installation should conform to appropriate electrical codes, such as the National Electrical Code in the United States.

WARNING: The compliance of the installation to appropriate codes is not ENMET's responsibility.

CAUTION: Area must be declassified during installation.

Run conduit and 16 AWG (1.5MM²) wires to the enclosure from the power supply and controller. Or use a 3-wire power cord of 0.20 to 0.35" in diameter.

After releasing the screws and lifting the cover and exposing the terminal strips on the bottom of the circuit board. Connect the wires from the controller (power supply) to the supplied J4 plug then attach to J4 terminal.

3.2.1 Power Supply

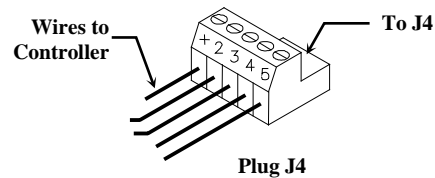
Upon supplying power to the **SE-5175-LONG LIFE**:

- The green power on LED is lit.
- The display backlight is lit, and instrument will step through a start-up sequence: unit serial number and software revision may be shown on the display.

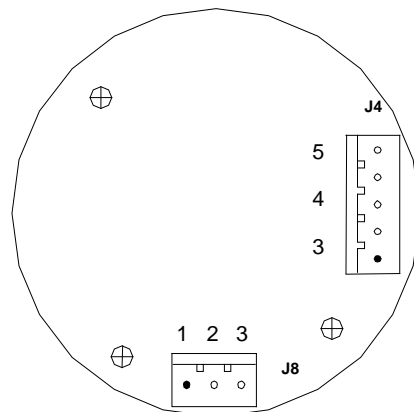
The instrument may go into alarm briefly, but the sensors stabilize quickly. If the instrument persists in alarm, acknowledge the alarm by pressing the **SELECT** button. If alarm persists longer than 30 minutes, call **ENMET** customer service personnel.

J4 PLUG – TERMINAL TO CONTROLLER WIRING

Position	Function
1 +	24 VDC power
2	GND
3	4 - 20 mA out
4*	RS-485 D+
5*	RS-485 D-



*Contact **ENMET** for Modbus Address information



Circuit Board Bottom View

J8 PLUG – TERMINAL TO SENSOR WIRING

Position	Function	Sensor
1	V +	Not Used
2	Signal	Red
3	GND	Black

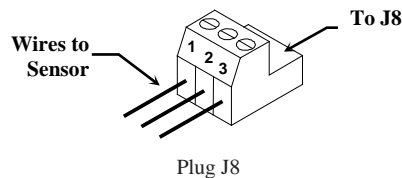


Figure 3: Power Terminal Connections SE-5175-Long Life

4.0 Operation

Normal Operation Condition

When 24VDC power is applied and in clean air, the Power Fault LED will be on, steady green.

The trigger point for the audio output is adjustable.

4.1 Start Up SE-5175-long Life

When the **SE-5175-LONG LIFE** is first powered up, it goes through a series of momentary screens, which identify the instrument model number, serial number and software revision. After all the momentary screens have been displayed, the instrument arrives at the Main Gas Display showing the gas concentration and unit of measurement, the POWER green LED is on and the red alarm and fault LEDs are not lit.

Depending on transmitter configuration and calibration condition, the furthest right character in the display may flash a letter indicating the instrument status. See the Section 4.1.1 below.

4.1.1 Typical Start Up

When power is supplied to the **SE-5175-LONG LIFE**, the instrument will display the following sequence of information: Typical start up sequence of information displayed.

Example of Typical Start Up Display

Display	Function
SE-5175	The instrument: Model SE-5175-LONG LIFE
<i>Sample for reference only</i> 84-__20	The instrument: Serial Number
S/W 9.1R	The instrument: Software Revision
IF the right most character is a flashing W 0 ppW	The instrument is in Warm-up mode This should last about 1 minute The Signal Output is held at 4mA during warm-up
IF the right most character is a flashing C 0 ppC	The instrument has failed Calibration The last good calibration values are retained, but the sensor may not be responsive to gas A new Calibration should be performed <i>As Soon As Possible</i>
0 ppm	The instrument: Normal Display Mode Measurement of the target gas

NOTE: Software revision may cause variations of display output.

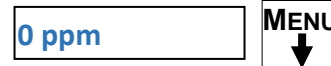
4.2 Normal Display Mode

When the **SE-5175-LONG LIFE** is installed as described in section 3, and in clean air, the POWER green LED is on and the display is lit. The red alarm and fault LEDs are not lit.

To advance through displays of operational information press the **MENU** button.
See sequence of operational information below:

Example of Typical Operational Display

Display Measurement of the target gas
Press **MENU** button



Display indicates Alarm 1 Set point
Press **MENU** button



Display indicates Alarm 2 Set point
Press **MENU** button



Display indicates Alarm 3 Set point
Press **MENU** button



Display indicates mA Span range
(Full Scale)
Press **MENU** button



Display returns to operational measurement

Operational Display Flow Chart

5.0 Maintenance

The **SE-5175-LONG LIFE** maintenance menus that are accessed by pressing the **MENU** button and entering a valid access code. The access code is set at the factory and may be changed by following the access code menu.

5.1 Maintenance Menus



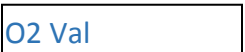
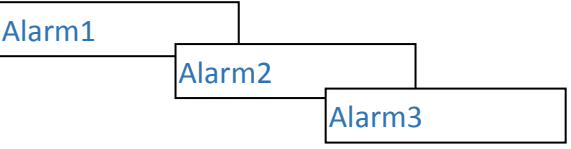

CAUTION: Do Not Attempt a Span Procedure Without Calibration Gas Applied to The Sensor; if this is done, the instrument is forced into a calibration fault mode.

Pushbutton switches control the **MENU** and **SELECT** functions. The **MENU** and **SELECT** button locations are indicated on the display panel, see **Figure 1**. The **MENU** button is used to display the various menu options and make incremental changes to numbers such as alarm points, calibrations gas, etc. The **SELECT** button is used to select that option, set zero or span digit.

To enter the maintenance menu, press and hold the **MENU** button for 2 to 4 seconds

Table 1 indicates the maintenance menu sequence see **Figure 4** for a detailed maintenance menu flow chart.

Table 1: SE-5175-Long Life Maintenance Menu Sequences

Example of Display	Function
 Normal Display Mode	Measurement of CO
Press and <i>hold</i> the MENU button for 2 – 4 seconds to enter the Maintenance Menu The Power/Fault LED will flash Green – Red to indicate the SE-5175 is in Maintenance Mode	
	To exit the maintenance Menu and return to the Normal Display Mode: If intended function, Press SELECT button
Press the MENU button to advance to the Span procedure	
	For adjusting the Span: If intended function, Press SELECT button
Press the MENU button to advance to each Alarm set point procedures	
	For adjusting the Alarm 1, 2 and 3 set points: If Intended function, Press SELECT button
Press the MENU button to advance the mA Span set point procedure	
	For adjusting the mA Span set point: If intended function, Press SELECT button

Pressing the **MENU** button without pressing the **SELECT** button will allow you to cycle through the menu options. You must Press the **SELECT** button to initiate the desired operation.

Normal Gas Display

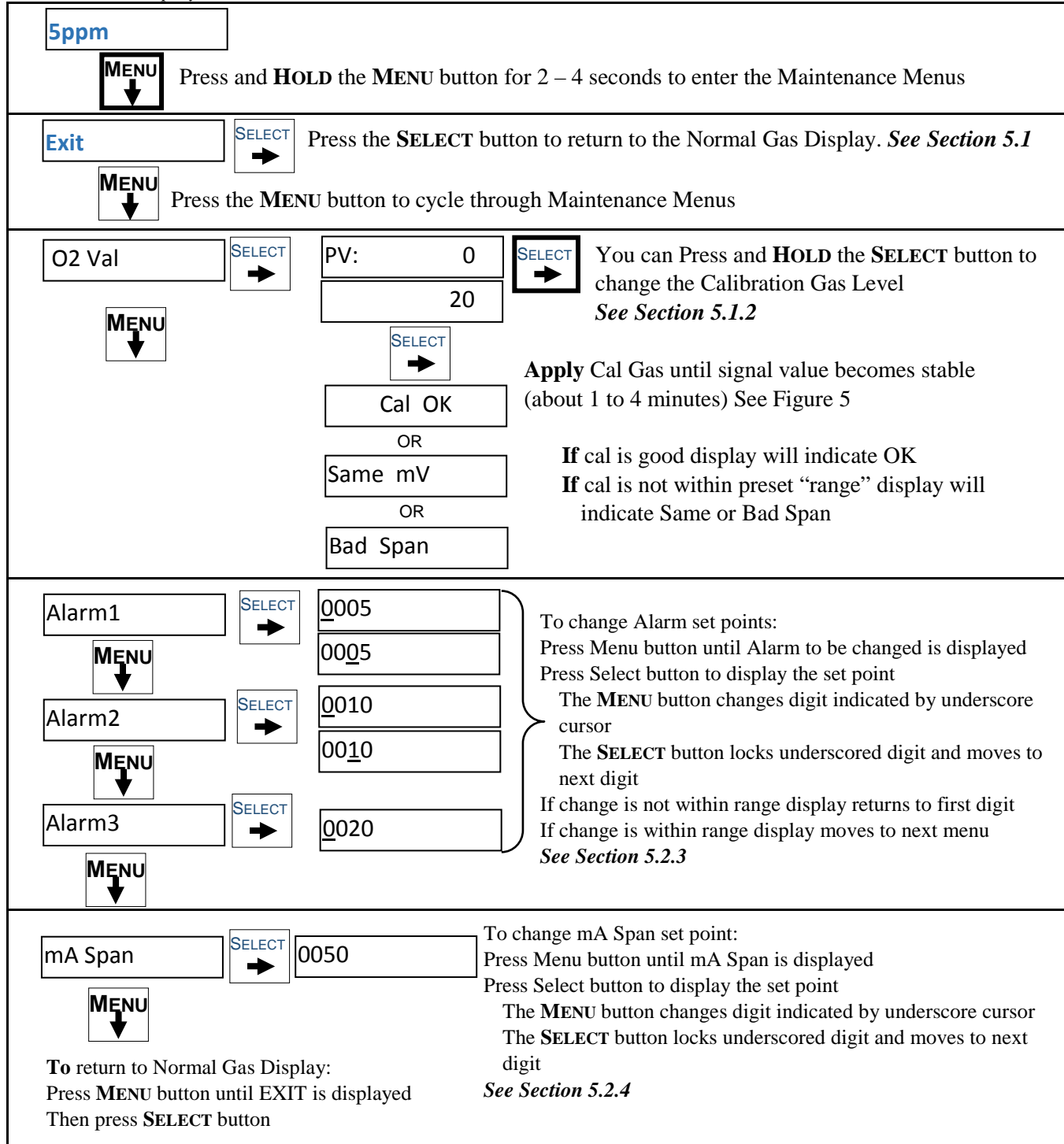


Figure 4: SE-5175 Maintenance Menu Flow Chart

5.1.1 Gas Span

Do not perform a calibration unless span gas is applied to sensor. Calibration can be aborted by pressing and holding the **MENU** button for 3 – 4 seconds.

Enter the maintenance menu. See **Figure 4, SE-5175-LONG LIFE Maintenance Menu** flow chart.

1. Press the **MENU** button until Span display.
2. Press the **SELECT** button to perform a Span procedure.
 The display will alternate between the calibration gas concentration: example (Cal 20) and a signal level (PV).
 To Abort calibration press and Hold **MENU** button for 3 – 4 seconds, Abort? will appear, press **SELECT** button to return to Span.
 To change calibration gas level to be used, press and Hold **SELECT** button for 3 – 4 seconds, use menu button to change digit and select button to move to next digit.
3. Attach the associated calibration gas cylinder to the calibration adapter. See **Figure 5** on calibration adapter.
4. Open the valve to apply the calibration gas to the sensor.
 An auto detect sequence is initiated after 30 seconds, the **SE-5175-LONG LIFE** will monitor the cal reading for stability.
5. Watch for the signal level to stabilize. 1 – 4 minutes.
6. Once the signal level has stabilized,
 - If the Span is successful, “Cal OK” appears momentarily, then will advance to Alarm1 menu.
 - If the sensor is outside of acceptable parameters, “Bad Span” is displayed.
 - If the sensor did not respond, an incompatible span gas was applied and the sensor did not respond at all, “Same mV” is displayed then will return to Span.
 - If calibration is not successful, it is suggested that calibration be attempted again in 30-60 minutes.
 If the sensor will not calibrate See Section 5.2.1.
7. Remove the calibration gas.
8. Calibration is complete.
 Note: The instrument will return to operation mode in 3 – 5 seconds.
9. Press the **MENU** button to advance to next desired menu

Example of Calibration Display:

NOTE: To abort calibration or change calibration gas level.

You can Press and **HOLD** the **MENU** button to abort Calibration
 When “Abort?” appears, press **SELECT** to advance to Alarm1 menu

MENU
↓

Abort?

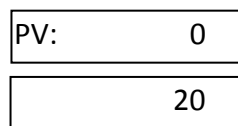
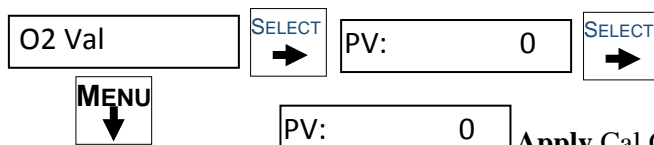
SELECT
→

You can Press and **HOLD** the **SELECT** button to change the
 Calibration Gas Level

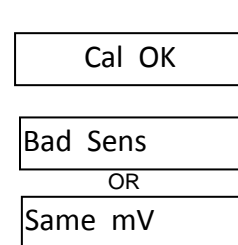
SELECT
→

20

-Use the **MENU** button to change digits
 -Use the **SELECT** button to move to next digit



Apply Cal Gas until signal value becomes stable
 (about 1 to 4 minutes) See **Figure 7**



When cal signal is stable **SE-5175** will automatically update:
If cal is good display will indicate OK or Same and advance to Alarm1
If cal is not within preset “range” display will indicate Bad Sens or Same mV the **SE-5175** will return to the Span Menu
 To exit press **MENU** button until Exit appears and press **SELECT**

5.1.2 Alarm Set Points

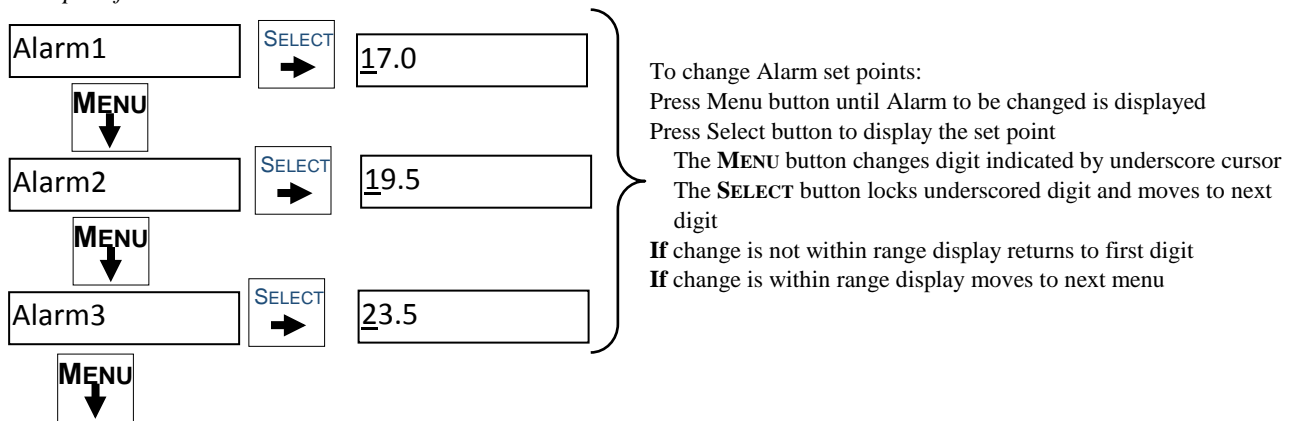
The SE-5175-LONG-LIFE alarm set points can be changed within limits.

To change any of the three alarm points:

Enter the maintenance menu as shown in **Figure 4 SE-5175 Maintenance Menu** flow chart.

1. Press the **MENU** button until the display Alarm1 is displayed.
2. Press the **SELECT** button to initiate alarm set point change
3. Press the **MENU** button to change the digit indicated by the underscore cursor
4. Press the **SELECT** button to move the cursor to the next digit
When last digit is entered the SE-5175 will advance to the next menu
5. Press the **MENU** button to advance to the next menu

Example of Alarm Set Point menus:



5.1.3 Span Set

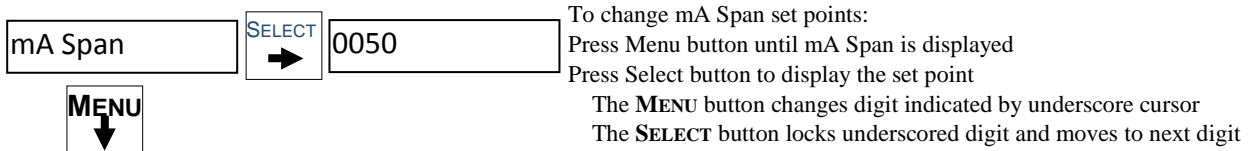
The SE-5175 4-20mA span range can be changed within limits.

To change the span range:

Enter the maintenance menu as shown in **Figure 4 SE-5175 Maintenance Menu** flow chart.

1. Press the **MENU** button until to display Span is displayed.
2. Press the **SELECT** button to initiate the mA Span menu
3. Press the **MENU** button to change the digit indicated by the underscore cursor
4. Press the **SELECT** button to move the cursor to the next digit
When last digit is entered the SE-5175 will advance to the next menu
5. Press the **MENU** button to advance to the next menu

Example of mA Span menu:



Default mA Span

4mA	20mA
0.0%	30.0%

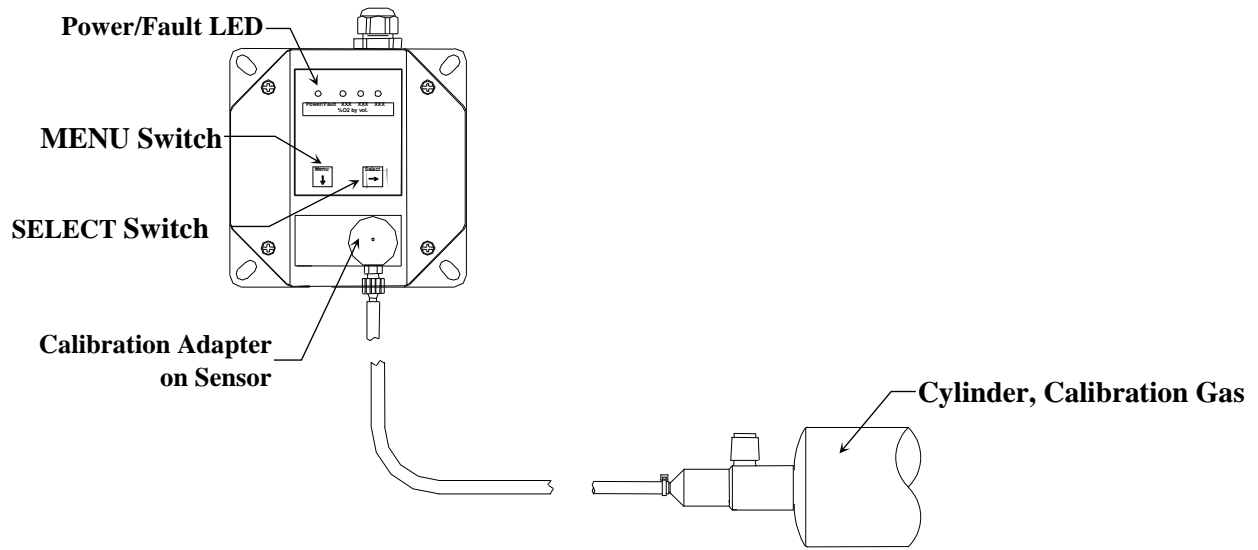


Figure 5: Calibration SE-5175-Long Life

5.2 Sensor Replacement

An Oxygen sensor must be replaced when it can no longer be calibrated. Typical sensor life is 3 to 5 years in a 20.9% oxygen environment.

WARNING: Power must be removed from the SE-5175-LONG LIFE before this or any internal procedure. Failure to do so may cause damage to equipment, bodily injury or death.

Sensors should be replaced when they can no longer be calibrated. Replacement sensor part numbers are listed in **Section 7.0** of this manual. If you do not know the proper part number for your sensor, have the **SE-5175-LONG LIFE** serial number available when contacting your Distributor or **ENMET** Technical Support.

5.2.1 Change Sensor

To replace a sensor, perform the following steps:

- Turn off the electrical power.
- Open the display panel and remove the four cover (lid) retention screws and remove the lid. See **Figure 6**.
- Remove the old O₂ sensor, by unscrewing it, and replace it with a new sensor. See **Figure 6**.
- Replace cover(lid) with retention screws.
- Turn on the electrical power.
- Wait 3 – 4 hours, then recalibrate the sensor per the instructions in **Section 5.2.2**

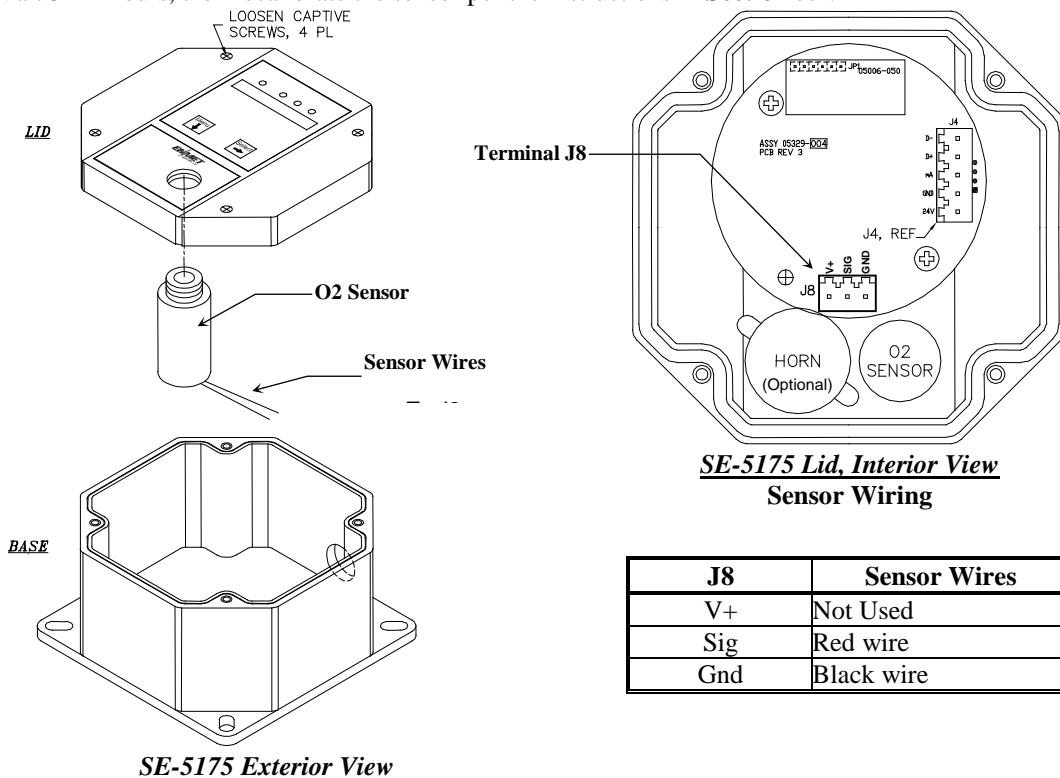


Figure 6: SE-5175 Sensor Replacement

After the new sensor assembly has been installed, it is suggested to allow the sensor to stabilize for 3 – 4 hours.

A Factory calibration must be performed.

When entering the Maintenance menu EXIT will be displayed. Press and *hold* the **MENU** button for 2-4 seconds. Press the **MENU** switch to change display to “O2 Val” will be displayed. Now Press and *hold* the **MENU** button for 2-4 seconds again An F will appear on the far-right hand side of the display. The F indicates that the instrument is in Factory mode. Perform the calibration Zero and O2 Val procedures as outlined in **Section 5.1**. Be sure that the F is present when selecting the Zero and Span functions.

The Factory calibration sets a calibration window for future standard instrument calibrations.

5.2.2 Calibration after Sensor Replacement

Following a sensor replacement, a Factory Calibration must be performed.

To enter Factory Calibration after sensor replacement:

NOTE: Subsequent calibrations should be done following the Standard Calibration procedure, reference Section 5.2.1.

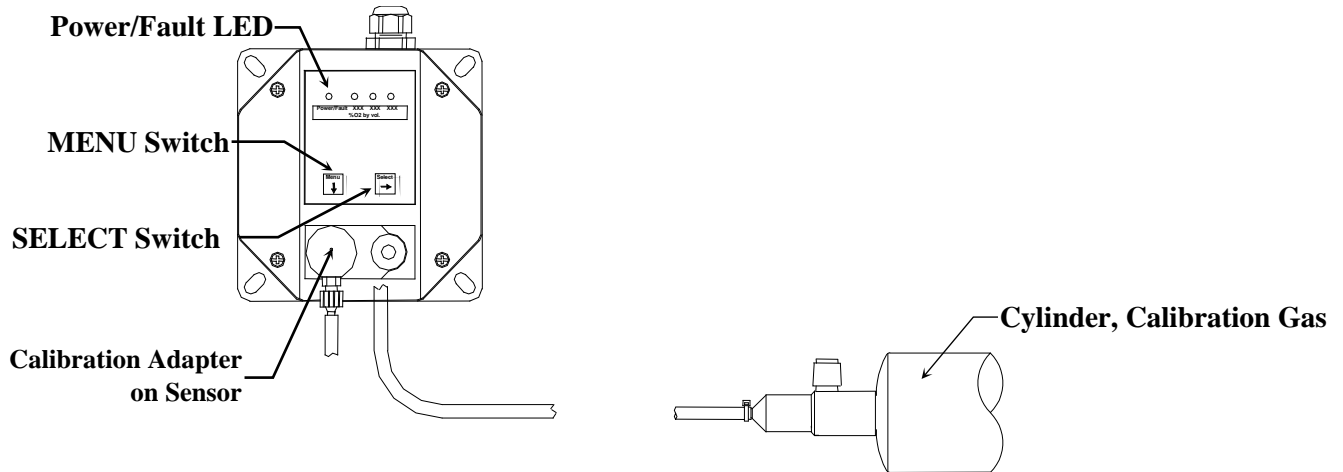


Figure 7: Calibration SE-5175-Long Life

6.0 Technical Data and Specifications

Electrical Power	24 VDC	
	0.6A, 24VDC	
Storage and Transport		
	Temperature:	-20° to +60°C (-4° to +140°F)
	<i>preferred</i>	0° to +20°C (32° to 68°F)
	Relative Humidity	10-99% RH, non-condensing
	Atmospheric Pressure	20 to 36 inHg (68 to 133 kPa)
Operation	Temperature:	0° to +40°C (32° to +104°F)
	Relative Humidity	10-99% RH, non-condensing
	Atmospheric Pressure	20 to 36 inHg (68 to 133 kPa)
Mechanical	Dimensions:	
	Weight:	
	Material:	
Outputs	Strain relief:	3-6.5mm OD, 1 supplied

NOTE: All specifications stated in this manual may change without notice.

7.0 Part Numbers for Replacement Parts and Accessories

ENMET part numbers for replacement parts:

Description of Part	Part Number
Sensor – Contact <i>ENMET</i>	67016-1152
Calibration Adapter	03620-021
Calibration Regulator, 17/34 liter	02506-004
Zero Gas, 20.9% O ₂ , 34 liters	03296-209

8.0 Terms and Conditions

8.1 Ordering Information

Address orders to:

ENMET
Attention: Customer Service Department
680 Fairfield Court
Ann Arbor, MI 48108

Email Orders: orderentry@enmet.com

Phone: 734-761-1270

Fax: 734-761-3220

You may also contact our customer service department by email info@enmet.com. MINIMUM ORDER IS \$50.00.

8.2 Shipping Terms

All shipments are F.O.B. ENMET's facility in Ann Arbor, MI, USA or Bowling Green, KY, USA. Shipping and handling charges are prepaid and added, and must be paid by the customer. Shipping and handling charges may be billed to VISA, MasterCard, American Express, or to the customer's preferred carrier account number. Delivery to the carrier constitutes delivery to the customer, and risk of loss passes to the customer at that time, however, title shall remain with ENMET until payment is received in full. Claims for shortages and damage must be made by the customer to the carrier within 5 days of receipt. **Refer to section "1.1 Unpack" for more information on this matter.**

A special service of \$50.00, or more, may be assessed on expedited shipments.

NOTE: Calibration gases are classified as Dangerous Goods for transportation purposes, and shipping companies charge a hazardous material fee for processing the documentation required for handling such items. Also, other restrictions apply to shipment of Danger Goods by air. Check with **ENMET** for clarification and additional information.

8.3 Payment

Open accounts must be established in advance with ENMET's Accounting department.

Address Payments to:

ENMET
680 Fairfield Court
Ann Arbor, MI 48108

Phone: 734-761-1270

We accept payments by VISA, MasterCard, and American Express. Payment by credit card must be specified at time of order placement. Your credit card will be charged on the date of shipment.

ENMET invoices for products that are shipped on open account are due and payable 30 days from the date of shipment from the **ENMET** site. **ENMET** may institute collection services should any bona fide invoice remain unpaid with no payment schedule negotiated by the customer with the **ENMET** Accounting Department. Any cost incurred by **ENMET** for professional collection services or legal fees to collect on a customer invoice will be added to any future business conducted between **ENMET** and that customer.

8.4 Warranty Information and Guidelines

Equipment must be returned prepaid to the point of origin, and ENMET will prepay the return transportation charges. Transportation prepaid by ENMET will be by most economical means (e.g. FedEx Ground). If an expedient means of transportation is requested during the warranty period, the customer must pay the difference between the most economical means and the expedient mode. ENMET warrants new instruments to be free from defects in workmanship and material under normal use for a calibration and expendable parts such as filters, detector tubes, batteries, etc. In addition, some oxygen cells and other sensors are limited to a warranty period of six months from date of shipment. Refer to the instrument manual for specific warranty details. If the inspection by ENMET confirms that the product is defective, it will be repaired or replaced at no charge, within the stated limitations, and returned prepaid by FedEx Ground to any location in the United States. ENMET shall not be liable for any loss or damage caused by the improper use or installation of the product. The purchaser indemnifies and holds harmless the company with respect to any loss or damages that may arise through the use by the purchaser or others of this equipment. This warranty is expressly given in lieu of all other warranties, either expressed or implied, including that of merchantability, and all other obligations, or liabilities of ENMET which may arise about this equipment. ENMET neither assumes nor authorizes any representatives or other persons to assume for it any obligation or liability other than that which is set forth herein.

If a component is purchased and installed in the field, and fails within the warranty term, it can be returned to ENMET and will be replaced, free of charge. If the entire instrument is returned to ENMET with the defective item installed, it will be replaced at no cost, but the instrument will be subject to labor charges at half of the standard rate.

NOTE: When returning an instrument to the ENMET for service:

- o Be sure to include all paperwork (the “Request for Service” form).
- o Include any specific instructions.
- o For warranty service, include the date of purchase.
- o If you require an Estimate, please contact ENMET.

The “Request for Service” form is on the final page of this manual. This form can be copied or used as needed. For service requests, outside of the warranty period, please refer to the “Returning an Instrument for Service Instruction” found later in this section.

8.5 Return Policy

All returns for credit must be approved by ENMET and identified with a “Return Material Goods” number. Such returns are subject to a minimum of a \$50.00 or 20% restocking fee, whichever is greater. **Approval of equipment for return is fully at the discretion of ENMET.** All requests for return/exchange must be made no later than 30 days of the original shipping date from *ENMET*. The actual amount of any resulting credit will not be determined prior to a complete inspection of the equipment by *ENMET*. Calibration gas cylinders cannot be returned or restocked due to the Department of Transportation refill restrictions. Air Filtration Systems (AFS series & parts) cannot be returned or restocked because their internal surfaces and filters are not amenable to re-inspection.

Certain products, such as stationary systems, or instruments with custom sensor configuration (non-standard) are built to order, and cannot be returned. Cancellation of orders for custom-built products, prior to shipment, will result in the assessment of a cancellation fee. The amount of the cancellation fee will be based upon the size and complexity of the order, and the percentage of total cost expended prior to cancellation.

8.6 Returning an Instrument for Service Instructions

Contact the ENMET Service Department for all service requests.

Phone: 734-761-1270

Email: repair@enmet.com

Fill out the “Service Request Form” found at the end of this manual and return with your instrument for all needs. Please send your instrument for service to the site in which the product was purchased. A new “Service Request Form” may be requested if the one found in the manual is not available. All instruments should be shipped prepaid to ENMET.

Address for Service:

Michigan Location:

ENMET
Attention: Service Department
680 Fairfield Court
Ann Arbor, MI 48108

Kentucky Location:

ENMET
62 Corporate Court
Bowling Green, KY 42103

Providing the “Service Request Form” assists in the expedient service and return of your unit and failure to provide this information can result in processing delays. *ENMET* charges a one hour minimum billing for all approved repairs with additional time billed to the closest tenth of an hour. All instruments sent to *ENMET* are subject to a minimum evaluation fee, even if returned unrepared. Unclaimed instruments that *ENMET* has received without appropriate paperwork or attempts to advise repair costs that have been unanswered after a period of 60 days may, be disposed of or returned unrepared COD and the customer will be expected to pay the evaluation fee. Serviced instruments are returned by UPS/FedEx Ground and are not insured unless otherwise specified. If expedited shipping methods or insurance is required, it must be stated in your paperwork.

NOTE: Warranty of customer installed components.

For Warranty Repairs, please reference *ENMET*'s “Warranty Information and Guidelines” (found earlier in this section).

Mailing/Shipping Address:

ENMET
680 Fairfield Court
Ann Arbor, MI 48108
repair@enmet.com



Phone: 734.761.1270
Fax: 734.761.3220

Service Request Form

Product Name or Number:

Product Serial Number:

Describe Problem or Needed Service:

Warranty Claim? Yes No

CUSTOMER INFORMATION

Billing Address:

Shipping Address:

Contact Name: _____

Phone #: _____

Email: _____

Fax #: _____

PO/Reference #: _____

PAYMENT METHOD

- COD VISA/MasterCard American Express

Card Number

Exp. Date

Security Code:

Name as it Appears on Card: _____

RETURN SHIPPING METHOD

- UPS Ground UPS 3 Day Select UPS Next Day Air UPS ND Air Saver UPS 2 Day Air

UPS Account #: _____

- FedEx Ground FedEx Air Express Saver FedEx Air Overnight Std. FedEx Air 2 Day FedEx Air Overnight P-1

FedEx Account #: _____

Insure Shipment: Yes No

Insurance \$
Amount: _____