

LC-8

8-CHANNEL

WALL-MOUNT CONTROLLER

Accepts Up to Eight 4-20 mA Inputs
From Remote Sensor/Transmitters

The LC-8 controller is designed for monitoring remote 4-20 mA gas sensor/transmitters or similar devices. This instrument can be connected to any combination of up to eight sensor/transmitters for monitoring oxygen, toxic or combustible gases. The system provides 24 VDC power, audio/visual alarms, relays and other features.



SPECIFICATIONS

Display:	128 x 128 graphic display simultaneously showing readings for each channel and sensor type. 2.25 x 2.25 inches (57 x 57 mm)
Inputs, up to eight:	4-20 mA, 2-wire, 3-wire or 4-wire (consult factory); 24 VDC provided
Alarm Levels:	2 user-programmable alarms per channel, and 1 common alarm 3
Audio Alarm:	An Audible Alarm is provided by a horn mounted within the enclosure. This provides a local audible tone during alarm conditions.
Visual Indicator:	Red Alarm LED Yellow Fault Alarm LED Green Power On LED
Relays:	2 per channel (1st & 2nd alarms). 1 system 3rd gas alarm. 1 system fault relay.
Relay Rating:	5 Amps, 240 VAC or 24 VDC
Outputs:	4-20 mA per channel
Temperature Range:	14° to 122°F (-10°C to +50°C)
Power:	100-240 VAC or 24 VDC
Enclosure:	Lockable, wall-mount steel enclosure, powder coated to RAL7035, IP65 ingress rating
Ingress Rating:	IP65
Size:	11.8 H x 19.7 W x 3.2 D inches (300 x 500 x 80 mm)
Weight:	17 lbs. (7.7 kg)

FEATURES

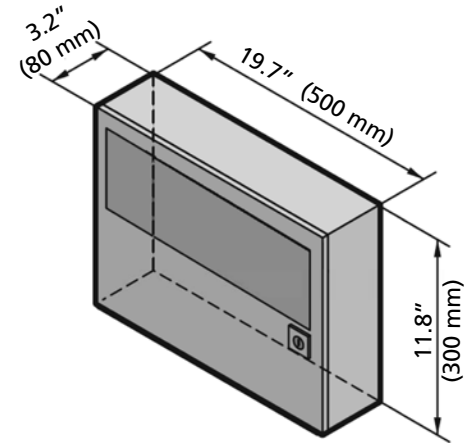
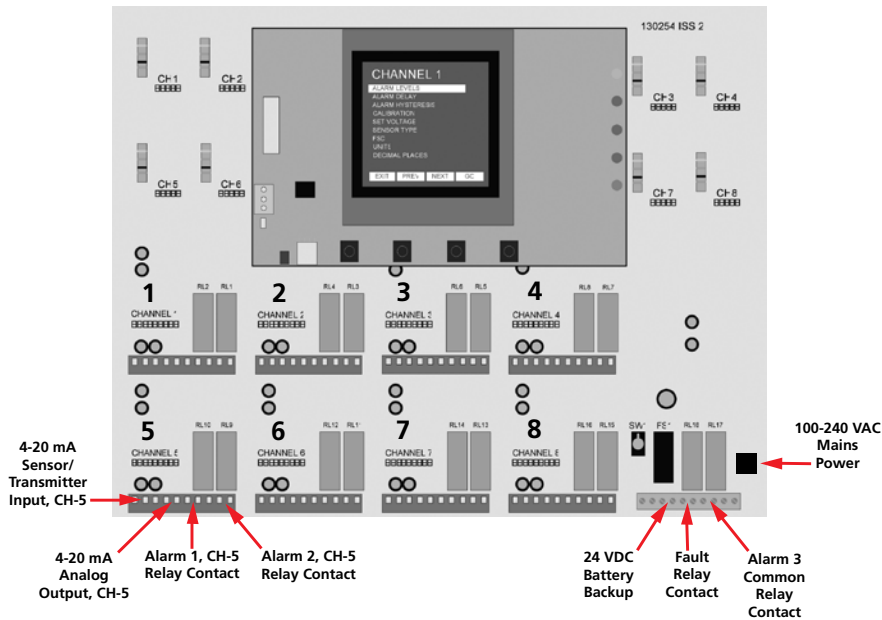
- Digital Display of All Channels Simultaneously
- User-Programmable Alarms and Relays
- 4-20 mA Input, up to 8
- 2 Alarm Relays per Channel, plus 1 Common Alarm Relay and 1 Fault Relay
- Audio/Visual Alarms
- 100-240 VAC, 24 VDC Power Options
- Provides 24 VDC Power for Sensor/Transmitters
- 4-20 mA Output per Channel
- Designed for 24 VDC Battery Backup
- Lockable Painted Steel Enclosure
- Simple Wall-Mount Installation
- IP65 Ingress Rating



LC-8 8-Channel Wall Mount Controller

CUSTOMER FIELD CONNECTIONS

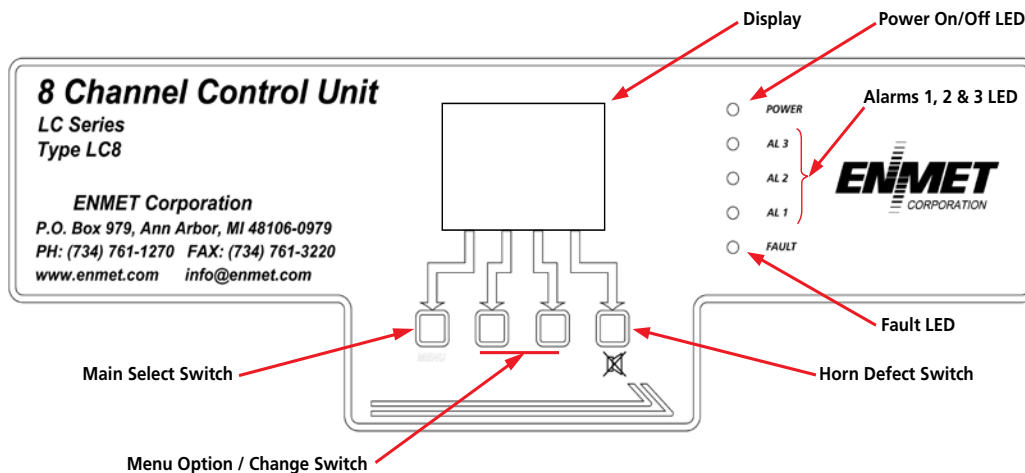
OVERALL ENCLOSURE DIMENSIONS



**EXAMPLE
CH-5 CONNECTIONS**

SYSTEM CONNECTIONS

FRONT PANEL



NOTE: Loss of primary power renders continuous gas monitors inoperative. Contact factory for specifications and pricing for backup battery systems compatible with ENMET monitors.

ORDERING INFORMATION

Instrument
LC-8, 8-CHANNEL CONTROLLER
LC-8 MANUAL

Part No.
02626-108
80003-049

EXAMPLES OF OPTIONAL SENSOR/TRANSMITTERS

- MOS Sensor ppm Hydrocarbons
- IR Sensor ppm to % Volume CO₂
- Electrochemical Sensor O₂, ppm H₂ and Toxic Gases
- PID Sensor ppm/ppb Toxic Hydrocarbons
- IR & Catalytic Sensors for % LEL & % by Volume Combustible Gases

