

AM-5175

Single-Point Hazardous Gas Monitor/Alarm for Ambient Air

Available for Carbon Monoxide (CO), Hydrogen Sulfide (H₂S), or Oxygen (O₂)

The AM-5175 provides a digital display of gas concentration, audio/visual alarms, relay contacts, plus analog and digital outputs. The monitor incorporates electrochemical CO, H₂S or O₂ cells. Sensors for other gases may be available on request.



MONITOR SPECIFICATIONS

Alarm Levels:	Three
Alarm Adjustment:	All three alarms are user adjustable
Audible Alarm:	105 dB at 30 cm (12 inches), factory set to activate at Alarm 2, user adjustable
Visual Gas Alarm:	3 Red LEDs
Visual Power/Fault:	Green/Red LED
Display:	8 Character, high contrast dot matrix LCD with backlight
Temp. Range:	32° to 122°F (0° to 50°C)
Outputs:	Relays: 4 Form C, 10A SPDT contacts, 3 gas alarms and 1 fault Analog: 4-20 mA Digital: RS-485 Modbus
Power:	100-240 VAC and/or 24 VDC, 15W
Power Connection:	Supplied with line cord and strain relief for 0.20 to 0.35 inch diameter cable
Enclosure:	Polycarbonate
Size:	7 x 5 x 3 inches (18 x 13 x 8 cm)
Weight:	2 lbs. (0.9 kg)

FEATURES

- Compact Design
- Digital Display
- User-Programmable Alarms & Relays
- 4-20 mA Output
- RS-485 Digital Communication Capability
- 100-240 VAC, 24 VDC Power Options
- "Intelli-Cal" Push-Button Calibration Procedure
- 3 Levels of Alarms
- Protected Maintenance Functions
- Audio and Visual Alarms
- High-Integrity Polycarbonate Enclosure
- High-Capacity Relays

SENSOR SPECIFICATIONS

Gas	Range	Alarm 1 (1)	Alarm 2 (1)	Alarm 3 (1)	LDL (2)	Life (3)
Carbon Monoxide, CO	500 ppm	35 ppm	50 ppm	200 ppm	4 ppm	2-3 years
Hydrogen Sulfide, H ₂ S	100 ppm	10 ppm	20 ppm	50 ppm	4 ppm	2-3 years
Oxygen, O ₂	30.0% V	17% V	19.5% V	23.5% V	0.2% V	1.5-2 years

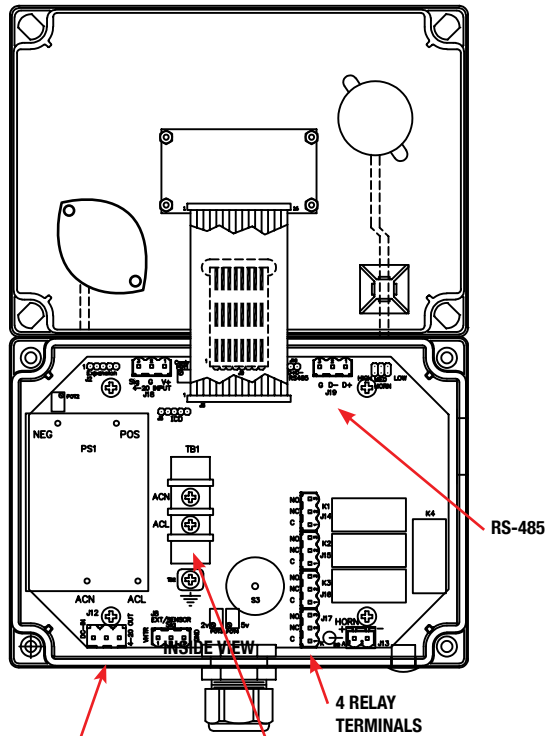
NOTES

- (1) Alarms are user adjustable
- (2) Lower Detectable Limit calculated from baseline noise level, thermal drift and interference data used to derive zero point deviation estimates.
- (3) Typical sensor life



AM-5175 Hazardous Gas Monitor/Alarm

INTERNAL FEATURES, COVER OPEN



DC POWER TERMINAL/4-20 mA OUTPUT

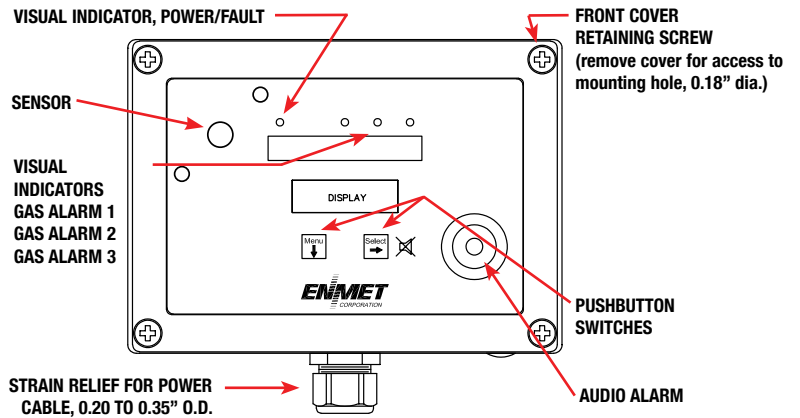
Position	Function
1	+24 VDC power
2	GND
3	4-20 mA out

NOTE: Loss of primary power renders continuous gas monitors inoperative. Contact factory for specifications and pricing for backup battery systems compatible with ENMET monitors.

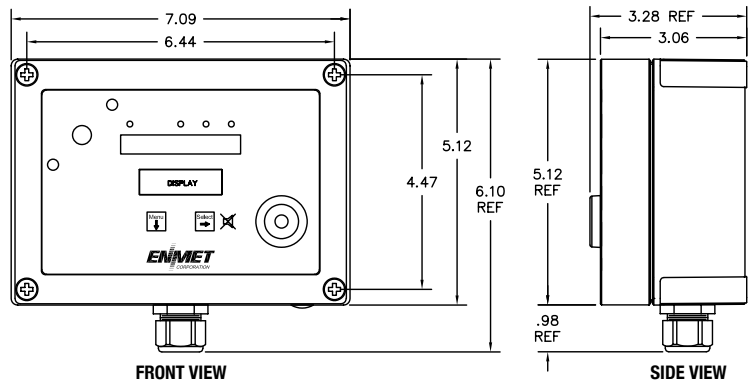
100-240 VAC POWER TERMINAL

4 RELAY TERMINALS

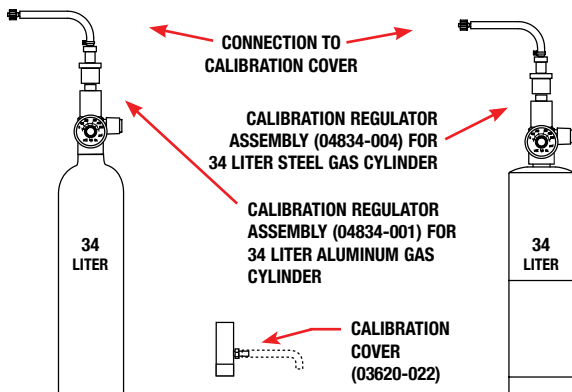
EXTERNAL FEATURES



DIMENSIONS IN INCHES



CALIBRATION CYLINDERS AND HARDWARE



ORDERING INFORMATION

Instruments

Instruments	Part No.
AM-5175 Monitor, CO	10040-1200
AM-5175 Monitor, H ₂ S	10040-0200
AM-5175 Monitor, O ₂	10040-1100

Calibration Gas & Hardware

Calibration Regulator Assembly for 34 liter steel cylinder	04834-004
Calibration Regulator Assembly for 34 liter aluminum cylinder	04834-001
Calibration Cover	03620-022
Calibration Gas, 100 ppm CO, 34 liter steel cylinder	03219-100
Calibration Gas, 20.9% O ₂ , 34 liter steel cylinder	03296-209
Calibration Gas, 20 ppm H ₂ S, 34 liter aluminum cylinder	03314-020

