

Menu Quick Reference

Pop-Up:

Auto-Zero
Cal Status
Combustible Display
Locations
Set Pump On/Off (if installed)

Basic Operation:

Main Gas Display
Date/Time/Battery
Alarm Values
Maintenance Menu
Back to Main Display

Advanced Operation:

Main Gas Display
Date/Time/Battery
Alarms Values
Min/Max
TWA Values
STEL Values
Maintenance Menu
Back to Main Display

Standard Maintenance:

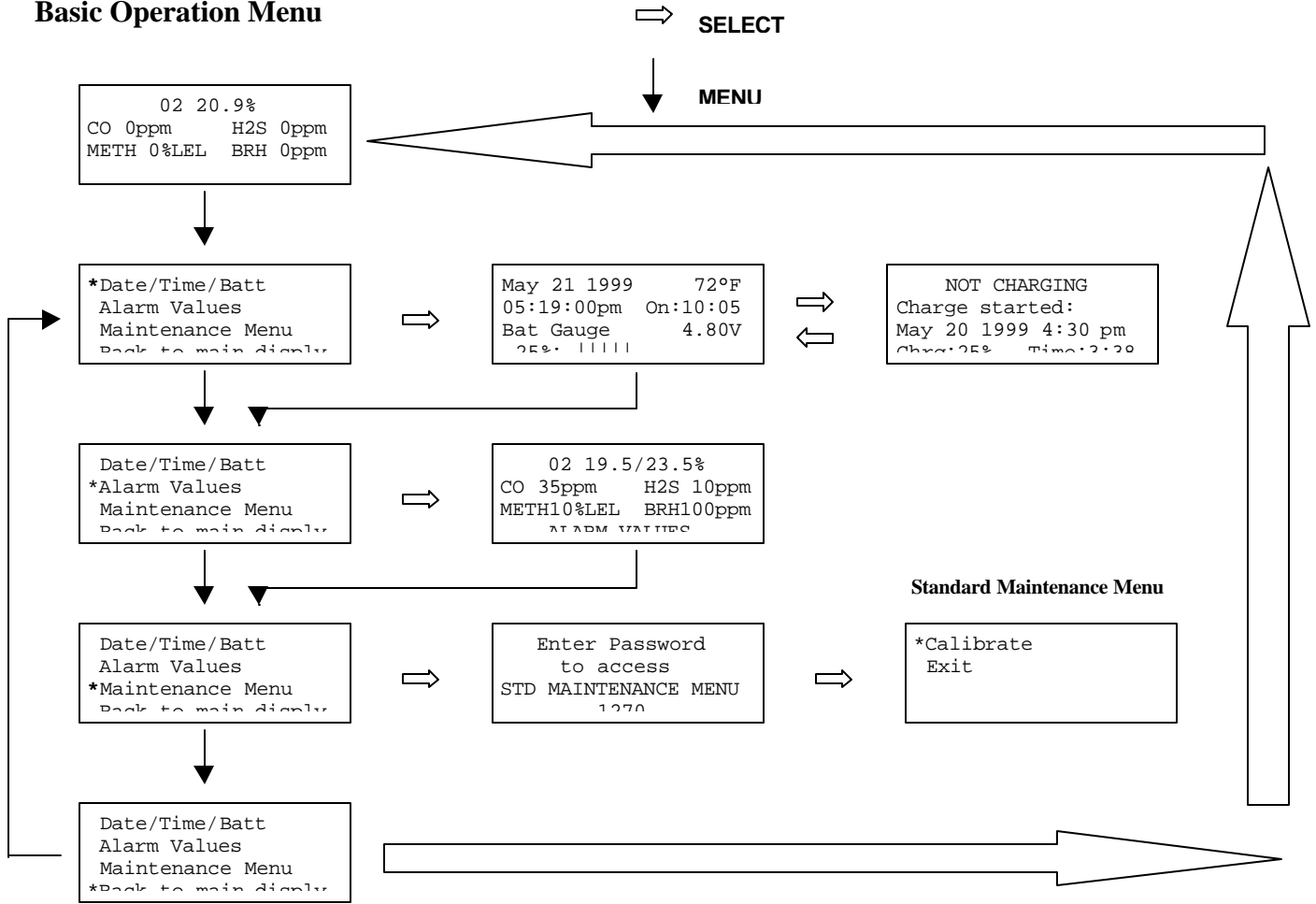
Calibration
Exit

Advanced Maintenance:

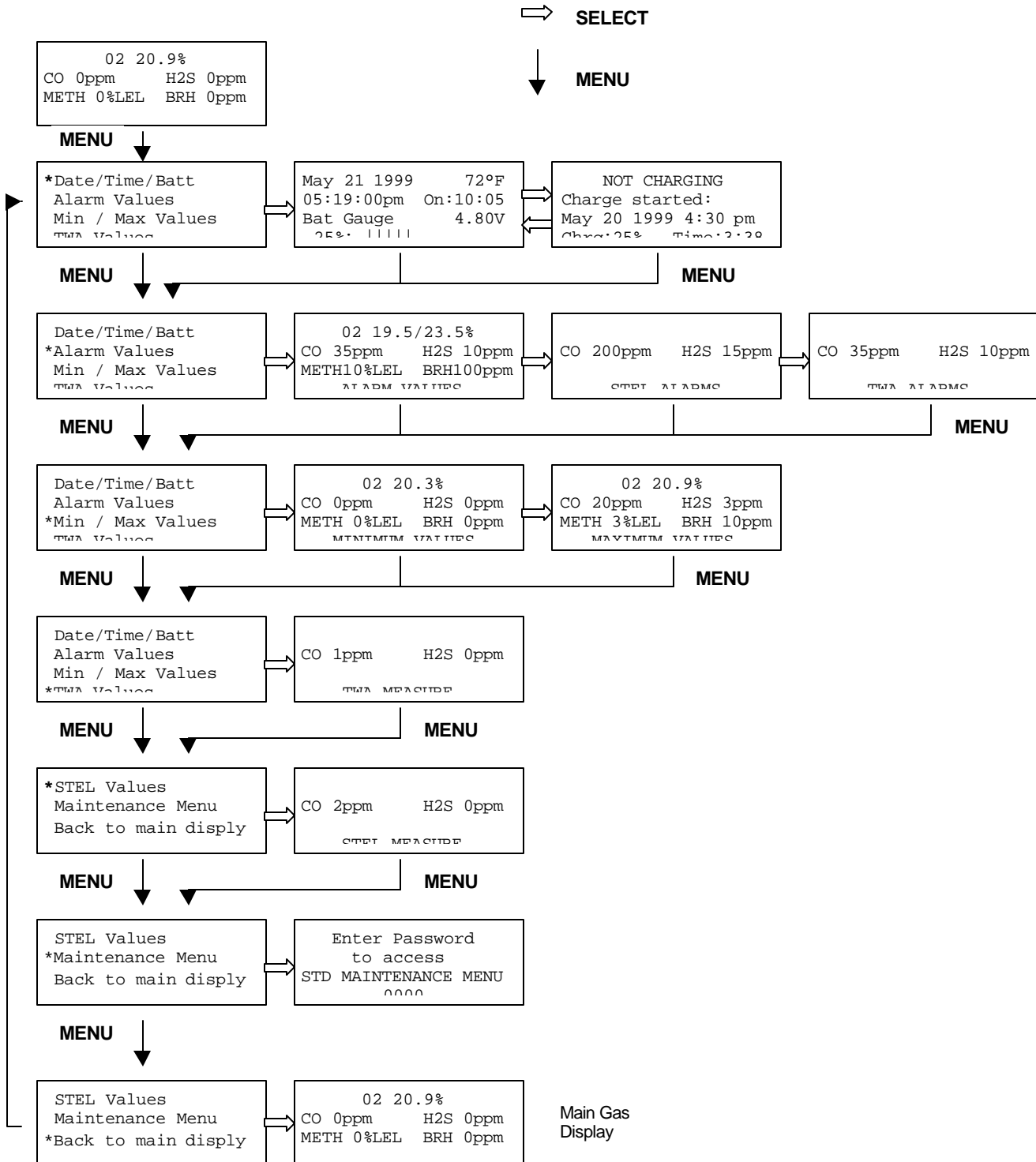
Calibration
Set Alarms
Enable Sensors
Set Clock/Chirp
Set Password
Set Battery
Set Op. Menu Type
Exit

Flow Diagrams

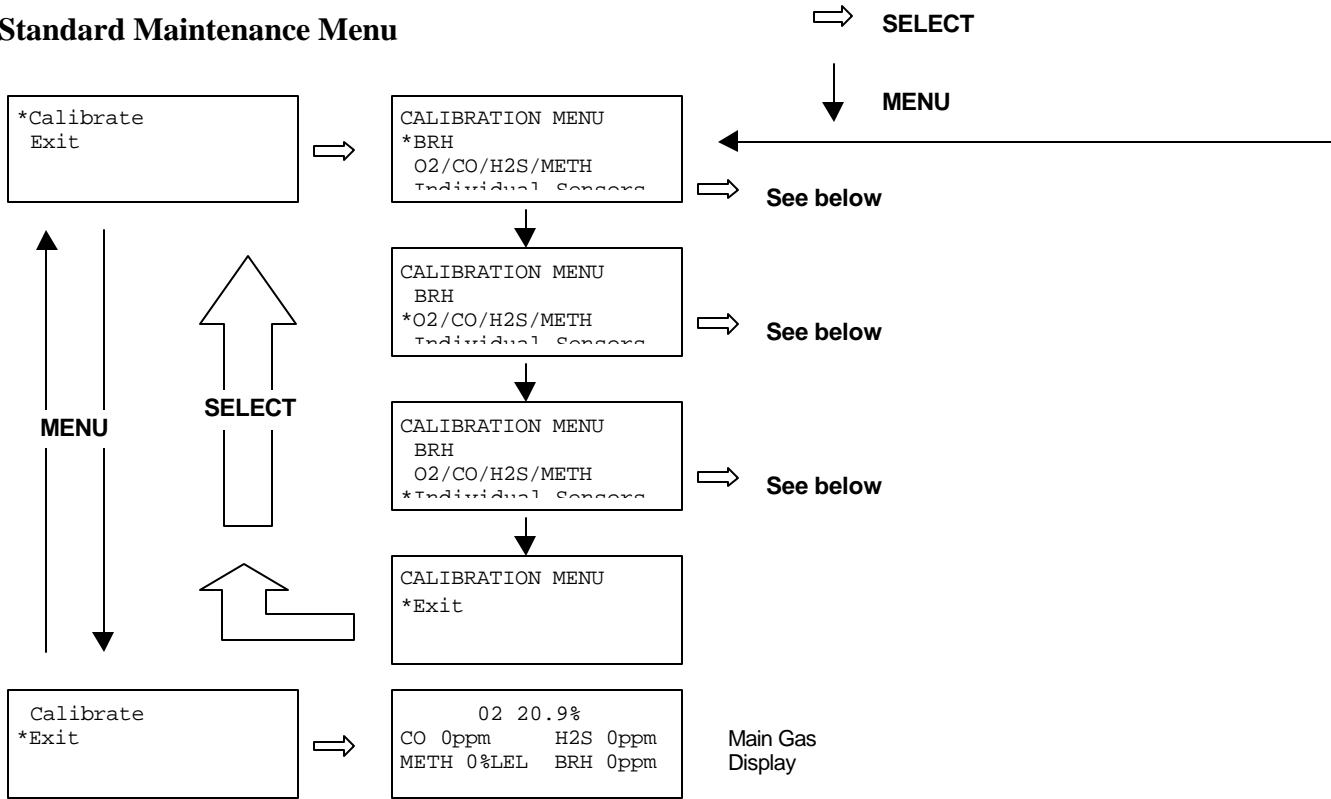
Basic Operation Menu



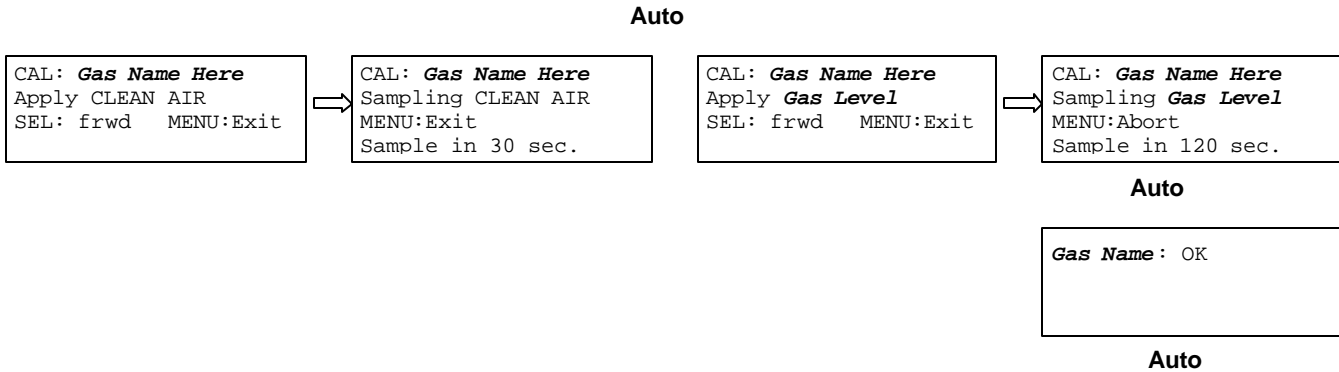
Advanced Operation Menu



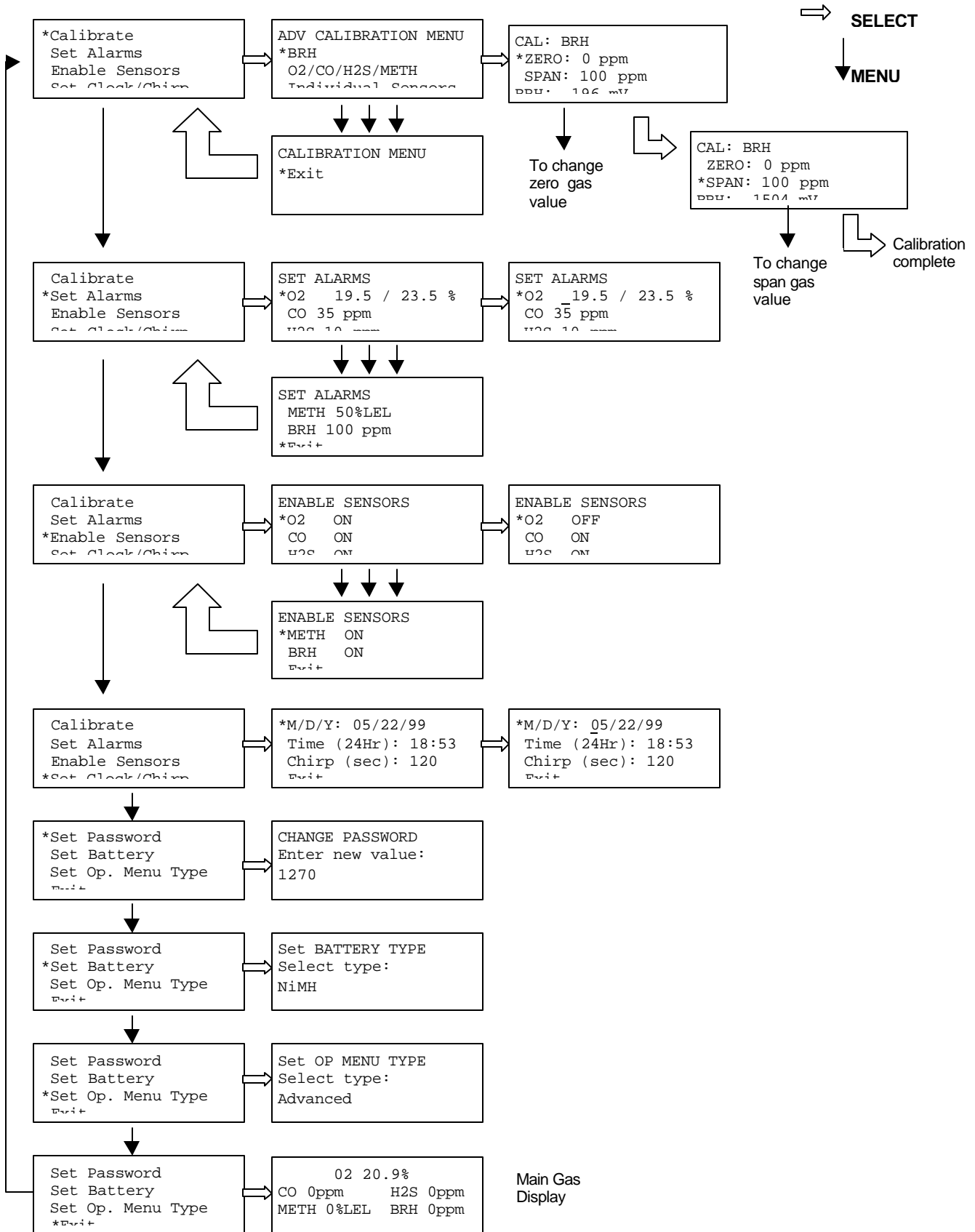
Standard Maintenance Menu



Enter any calibration procedure from above:



Advanced Maintenance Menu



Default Alarm and Configurations

Gas	Full Scale Display	Resolution	Alarm 1	Alarm 2	TWA	STEL	Calibration Gas Value
Combustible	99 %LEL	1 %LEL	10 %LEL	60 %LEL	X	X	50 %LEL CH ₄
BRH	200 ppm	1 ppm	100 ppm	150 ppm	X	X	100 ppm toluene
Oxygen	30 % volume	0.1 % volume	19.5%	23.5%	X	X	20.9 % O ₂
Carbon Monoxide	500 ppm	1 ppm	35 ppm	200 ppm	35 ppm	200 ppm	100 ppm CO
Hydrogen Sulfide	200 ppm	1 ppm	10 ppm	40 ppm	10 ppm	15 ppm	20 ppm H ₂ S
Ammonia	99 ppm	1 ppm	25 ppm	50 ppm	25 ppm	35 ppm	25 ppm NH ₃
Chlorine	9.9 ppm	0.1 ppm	0.5 ppm	5.0 ppm	0.5 ppm	1.0 ppm	5 ppm Cl ₂
Nitrogen Dioxide	30.0 ppm	0.1 ppm	1.0 ppm	5.0 ppm	1.0 ppm	1.0 ppm	5 ppm NO ₂
Sulfur Dioxide	30.0 ppm	0.1 ppm	2.0 ppm	10.0 ppm	2.0 ppm	5.0 ppm	10 ppm SO ₂

Operation Menu: Basic
 Confidence chirp interval: 120 seconds
 Backlight duration: 30 seconds
 Combustible gas display: Methane
 Datalogging: Active (requires TARGET Trakker to retrieve)
 Datalogging interval: 1 per minute
 TWA/STEL Alarms: Active
 Locations: Enabled (requires software to program)

Replacement Parts

<u>Part No.</u>	<u>Description</u>
04835-000	Sampling hose
04835-001	Sampling wand
04835-002	Hand aspirator, requires 04835-000 or 04835-001 or both
04833-000	Protective carrying case
04833-003	Alkaline battery holder
66014-003	Charger cable, 12 VDC
73083-007	Economy Black Transit Case with Lining
04833-001	Computer Cable
04832-000	Battery Charger, 100-240 VAC, req. cable 66018-000 or equiv.
66018-000	Power cable for charger, 110 VAC plug
67019-024	Battery Pack, NiMH
03620-017	Calibration/hand aspirator cover
04836-000	Sampling cover for internal sample pump
73089-068	Sampling filter
03008-131	Sensor, BRH
03015-012	Sensor, HS+/CO+
03070-002	Sensor, Combustible (HW)
67016-1104	Sensor, Oxygen
67025-0200	Sensor, Hydrogen sulfide
67025-1200	Sensor, Carbon monoxide
67025-0100	Sensor, Chlorine
67025-0500	Sensor, Sulfur dioxide
67025-1700	Sensor, Nitrogen dioxide
67025-2400	Sensor, Ammonia
80012-014	Operation and Maintenance Manual, TARGET Series
03388-000	Calibration Gas, 34 liter, 50% LEL CH ₄ , 20 ppm H ₂ S, 100 ppm CO, 20.9% O ₂
03286-100	Calibration Gas, 17 liter, 100 ppm Toluene for BRH Sensor
03220-050	Calibration Gas, 17 liter, 50% LEL Methane, CH ₄
03219-100	Calibration Gas, 17 liter, 100 ppm Carbon Monoxide, CO
03314-020	Calibration Gas, 34 liter, 20 ppm Hydrogen Sulfide, H ₂ S
03331-005	Calibration Gas, 34 liter, 5 ppm Chlorine, Cl ₂
03315-010	Calibration Gas, 34 liter, 10 ppm Sulfur dioxide, SO ₂
03333-005	Calibration Gas, 34 liter, 5 ppm Nitrogen dioxide, NO ₂
03318-025	Calibration Gas, 34 liter, 25 ppm Ammonia, NH ₃
04834-001	Calibration Adapter, Reactive Gases
04834-002	Calibration Adapter, for BRH sensor
03620-017	Calibration Shield

REPAIR – RELATED PARTS

03008-001	Sensor Insert, MOS/Comb. Sensor
67025-001	Sensor Insert, Electrochemical
73197-000	Belt Clip
05255-001	Processor PCB assembly
05256-001	Sensor PCB assembly (no sensors)
62022-008	LCD assembly
66016-021	Display ribbon cable
66016-022	Processor-Sensor PCB ribbon cable
06000-074	Overlay, display
06000-075	Overlay, switch
62013-009	Horn
06000-079	Gasket, horn
04833-002	Pump Assembly
50035-000	Battery, RAM
50036-T000	Program Chip
73079-005	Dust Cap/Tether
64003-0500	Fuse, 500 mA, SMT (battery)
64003-1000	Fuse, 1 A, SMT (charger)

Troubleshooting

Problem	Possible Cause	Action
Unit will not turn on.	Dead battery	Plug instrument into charger. Check charge status.
Sensor fails calibration	Failed sensor Wrong gas concentration Old calibration gas	Replace sensor and recalibrate Use proper calibration gas. Replace calibration gas.
Calibration due on status line	Sensor hasn't been calibrated in last 90 days.	Check Cal Status in Pop-Up menu. Calibrate affected sensor(s).
Cal error on status line	Sensor failed a calibration.	Check Cal Status in Pop-Up menu. Calibrate affected sensor(s). Replace sensor if necessary and recalibrate.
Setup/config error on status line	Memory failure Battery back-up failure.	Return to factory/service center. Return to factory/service center.
Fault displayed in sensor location	Sensor missing. Invalid sensor readings.	Properly install sensor. Check sensor calibration. Replace if necessary.