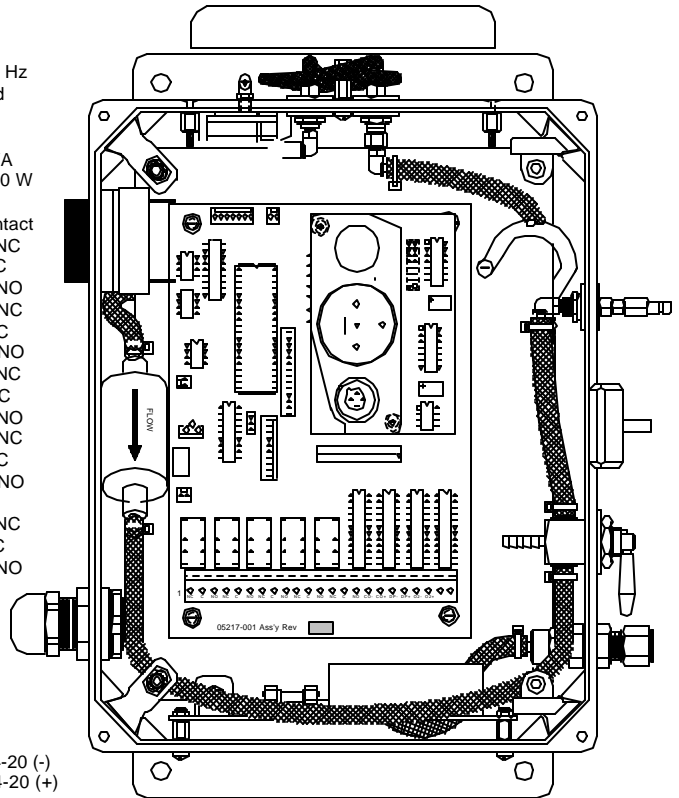


**Customer Wiring:**

Power: 100-240 VAC, 50-60 Hz  
110 VAC Power Cord  
Supplied

Relays: Rated for AC - 250 VA  
DC - 50-150 W

Position	Function	Contact
1	CO Alarm	NC
2	CO Alarm	C
3	CO Alarm	NO
4	O2 Alarm	NC
5	O2 Alarm	C
6	O2 Alarm	NO
7	Not used	NC
8	Not used	C
9	Not used	NO
10	O2 Abun.	NC
11	O2 Abun.	C
12	O2 Abun.	NO
13	Fault	NC
14	Fault	C
15	Fault	NO



4-20 mA Outputs (optional)

16	CO	4-20 (-)
17	CO	4-20 (+)
18	Not used	
19	Not used	
20	O2	4-20 (-)
21	O2	4-20 (+)

Air-line connection: 6 feet of 1/4 inch tubing and pressure regulator supplied. Regulator has female 1/4" NPT fitting for connection to air line.

NOTES: UNLESS OTHERWISE SPECIFIED

REV	DESCRIPTION	BY DATE	ENG. CHANG.	GRID POS.	USED ON:	MATERIAL	UNLESS OTHERWISE SPECIFIED DIMENSIONS ARE IN INCHES TOLERANCES ON	SCALE	DO NOT SCALE	TITLE	DWG. NO.	SHEET OF	REV.
					COMP. FILE NO.	FINISH	2 PLACE DECIMALS +.03	NONE		<b>ENMET</b> CORPORATION	ISA-200 RAL Installation Detail	1	1
					PREP. 7/12/00	DES. CDB	3 PLACE DECIMALS +.010						