

CP-10

SINGLE-CHANNEL, WALL-MOUNT CONTROLLER

Accepts 4-20 mA Input from Remote Sensor/Transmitter

The CP-10 is an economical, yet versatile single-channel controller with the features needed for monitoring a remote 4-20 mA gas sensor/transmitter or similar device. The instrument provides 24 VDC loop power, audio/visual alarms, alarm relays and other features. The CP-10 is easy to install, designed for wall mounting and completely programmable from the front panel membrane switches.



SPECIFICATIONS

Display:	8 character, alphanumeric, high contrast dot matrix LCD with backlight
Display Options:	
Units:	4 character, 3 alphabetic plus 1 space for units: PPM, LEL or % standard, user selectable. Other units available on request.
Range:	4 character, numerical: 0.00 to 9999, user programmable.
Input, one:	4-20 mA, 2-wire, 3-wire or 4-wire (consult factory)
Loop Power:	24 VDC provided
Alarm Levels:	3 user programmable alarms
Audible Alarm:	105 dB at 30 cm (12 inches), factory set to activate at Alarm 1, user adjustable
Visual Gas Alarm:	3 Red LEDs
Visual Power/Fault:	Green/Red LED
Temperature Range:	5° to 104°F (-15° to +40°C)
Outputs:	
Relays:	4 Form C, 10A SPDT contacts, 3 gas alarms and 1 fault
Analog:	4-20mA
Digital:	RS-485 Modbus
Power:	100-240 VAC, 50/60 Hz and/or 24 VDC, 15W
Power Connection:	Supplied with strain relief for 0.20 to 0.35 inch diameter cable
Enclosure:	Polycarbonate
Size:	7 x 5 x 3 inches (18 x 13 x 8 cm)
Weight:	2 lbs. (0.9 kg))

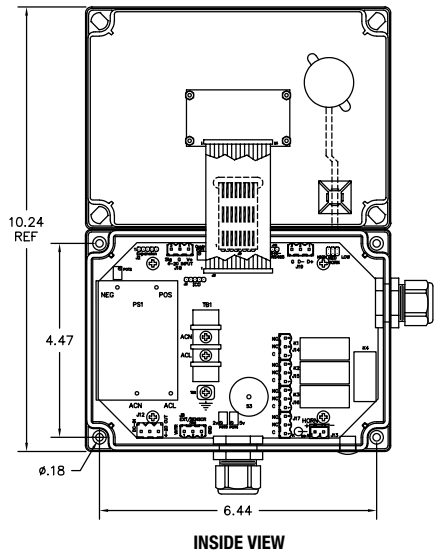
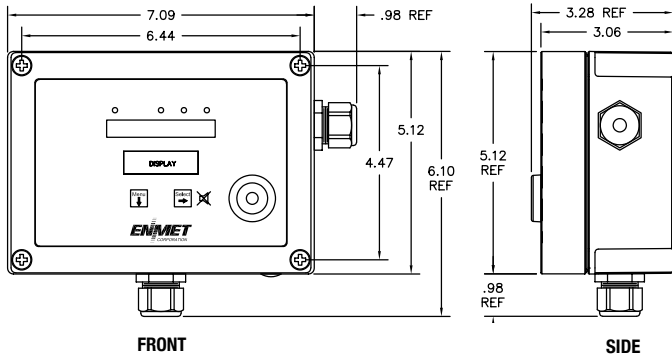
FEATURES

- Digital Display
- User Programmable Alarms
- 3 Alarm Levels
- 4-20 mA Input
- Audio/Visual Alarms
- 3 Gas Alarm Relays, plus 1 Fault Relay
- 100-240 VAC, 24 VDC Power Options
- Provides 24 VDC Loop Power
- High Capacity Relays
- High Integrity Polycarbonate Enclosure
- 4-20 mA Output
- RS-485 Digital Communication Capability
- Designed for 24 VDC Battery Backup

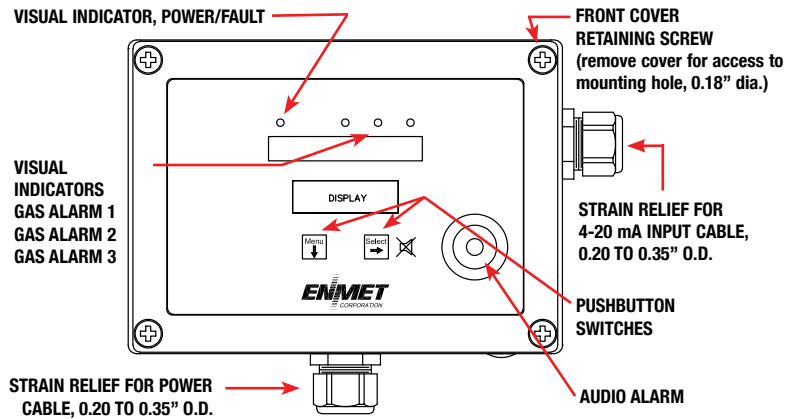


CP-10 Single-Channel Controller

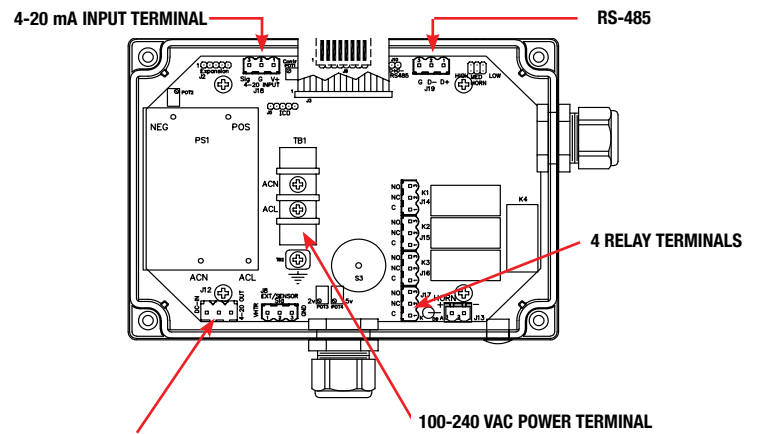
DIMENSIONS in inches



EXTERNAL FEATURES



INTERNAL FEATURES



Position	Function
1	+24 VDC power
2	GND
3	4-20 mA out

NOTE: Loss of primary power renders continuous gas monitors inoperative. Contact factory for specifications and pricing for backup battery systems compatible with ENMET monitors.

ORDERING INFORMATION

Instrument
CP-10 Single-Channel Controller

Part No.
04540-001

SENSOR/TRANSMITTERS CONTACT ENMET FOR INFORMATION ON THESE AND OTHER 24 VDC, 4-20 mA SENSOR/TRANSMITTERS:



SE-5175, O₂, H₂ and ppm Toxic Gases



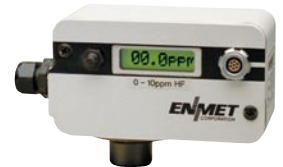
IR-6000, % LEL Combustible Gases



EX-5100, % LEL Combustible Gases



EX-5150-MOS, ppm or % LEL Hydrocarbons



SDS-97D, O₂, H₂ and ppm Toxic Gases

